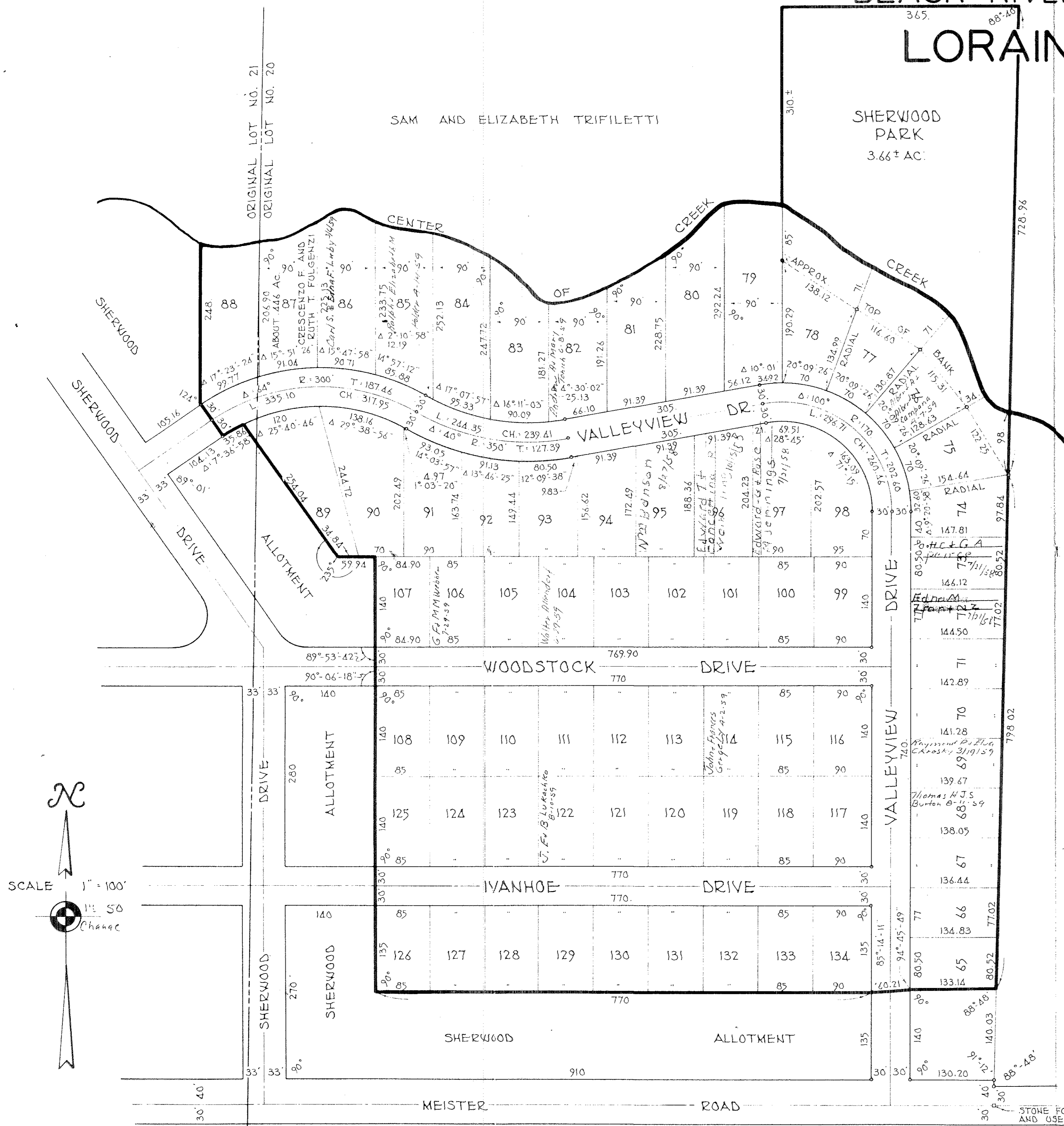


SHERWOOD ALLOTMENT NO. 2

IN PART OF O.L. 20 & PART OF O.L. 21 TRACT NUMBER 2
BLACK RIVER TOWNSHIP

LORAIN OHIO



This plat made at the request of Sam Trifiletti and Elizabeth Trifiletti embraces about 32.00 acres of land in Original Lot 20 and Original Lot 21, Tract number 2, Black River Township, Lorain County Ohio, now in the City of Lorain. Being about 31.42 acres in said Lot 20 and about .580 acres in said Lot 21. Streets and Park as shown are to be dedicated to public use. All measurements are in feet and decimal parts thereof. Distances shown on curved lines are chord measurements. Iron pins were set at all points indicated thus . Other monuments were found as shown. I hereby certify the above to be correct.

J.B. Nichols
REGISTERED SURVEYOR

The undersigned, owners of the land embraced in this allotment as outlined by heavy lines, hereby accept this plat of same and dedicate the streets and Park as shown to public use.

State of Ohio
Lorain County S.S.
Before me, a Notary Public in and for said County, personally appeared the above named Sam Trifiletti and Elizabeth Trifiletti and F. and Ruth T. Falgenzi who acknowledged that they did sign this plat, and that it was their free act and deed. In testimony whereof, I have hereunto set my hand and affixed my official seal at this day of 1957.

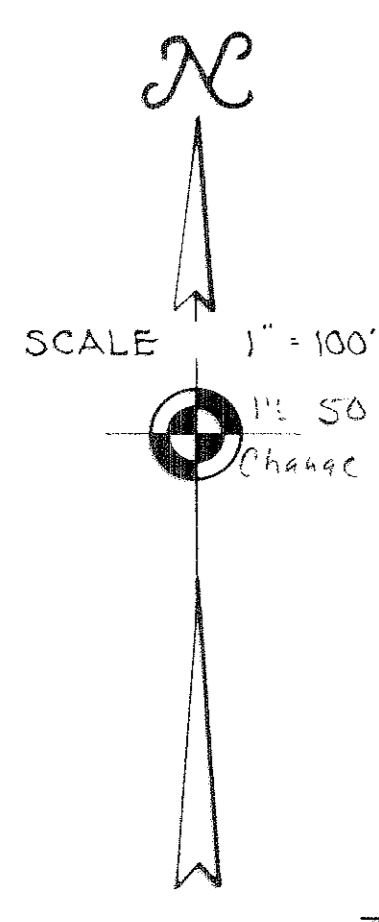
NOTARY PUBLIC

This is to certify that I have examined this plat and hereby approve the same. I find the monuments, found and set, are sufficient to define the streets as shown.

I hereby certify that the land herein dedicated is covered by a proper certificate of title and the dedication is hereby approved as to form.

This is to certify that this plat is hereby approved on this 7 day of December 1957 by the Planning Commission of the City of Lorain, Ohio.

This is to certify that this plat was accepted by the Council of the City of Lorain, Ohio, by Ordinance Number 7576, passed 1957.



As a condition of dedication on the part of the Allotter and acceptance on the part of the City of Lorain, the owners of the lots of this plat are forever prohibited from planting trees or shrubs in any part of the area dedicated to public use.

Received for Recording July 3 1958 at 2:00 o'clock P. M.
Recorded in Volume 21 Page 4 July 3, 1958
Leola B. Mitchell m.e. LORAIN COUNTY RECORDER

Entered for transfer
LORAIN COUNTY