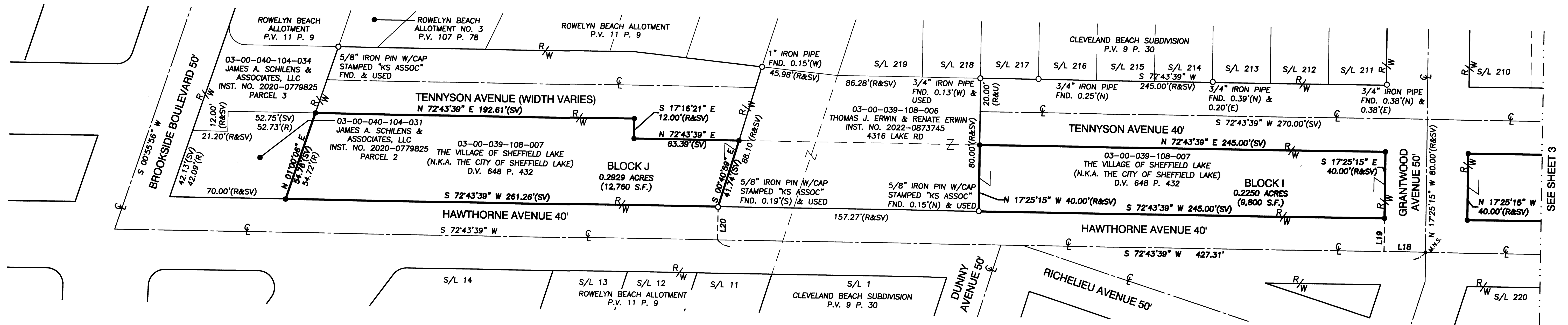
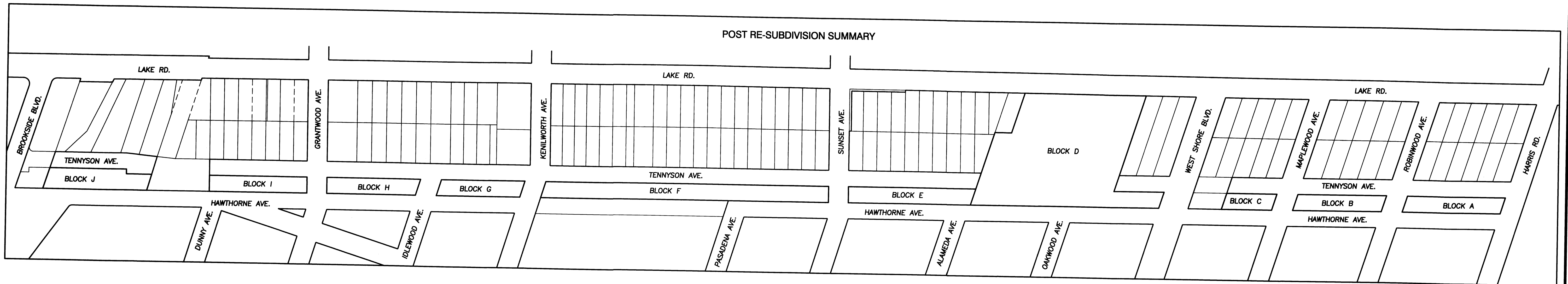


LAKE ROAD SUBDIVISION

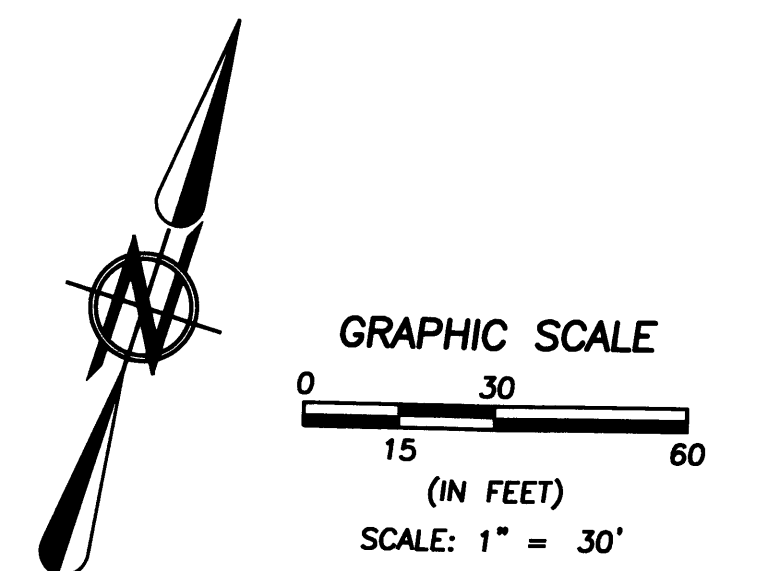
BEING A RE-SUBDIVISION OF SUBLot NUMBERS 2 THROUGH 7 INCLUSIVE AND 34 THROUGH 40 INCLUSIVE AND VACATED PORTIONS OF OAKWOOD AVENUE AND TENNYSON AVENUE IN WEST SHORE SUBDIVISION OF PART OF ORIGINAL SHEFFIELD TOWNSHIP LOT NUMBER 39 AS RECORDED IN PLAT VOLUME 10, PAGE 3 OF THE LORAIN COUNTY RECORDS AND PART OF ORIGINAL SHEFFIELD TOWNSHIP LOT NUMBERS 38, 39 & 40 CITY OF SHEFFIELD LAKE, COUNTY OF LORAIN, STATE OF OHIO



POST RE-SUBDIVISION SUMMARY



LINE	BEARING	LENGTH
L18	S 72°43'39" W	25.05'
L19	N 17°16'21" W	20.00'
L20	N 17°16'21" W	20.00'



DATE	BY	DESCRIPTION
2023-09-27	AMK	ISSUE TO COUNTY FOR REVIEW
2023-10-09	AMK	ISSUE TO CLIENT
2023-11-27	AMK	ISSUE TO CLIENT

DRAWN BY: MAM	BRAMHALL ENGINEERING AND SURVEYING COMPANY 801 MOORE ROAD AVON, OHIO 44011 (440) 934 - 7878 (440) 934 - 7879 FAX	SHEET 5 OF 5
CHECKED BY: AMK		JOB NO. 12-3300-63

J:\123300-Sheffield Lake\12-3300-63 Vacation and Cons. Oakwood_Lake\DRAWINGS\12-3300-63 Lake Road Subdivision.dwg 2023-08-17